

NBT ThermoPlan® System

Thin Bed Insulating
Solid Wall System



Design Details

“The Science of Nature - The Future of Construction”

Natural Building Technologies Ltd

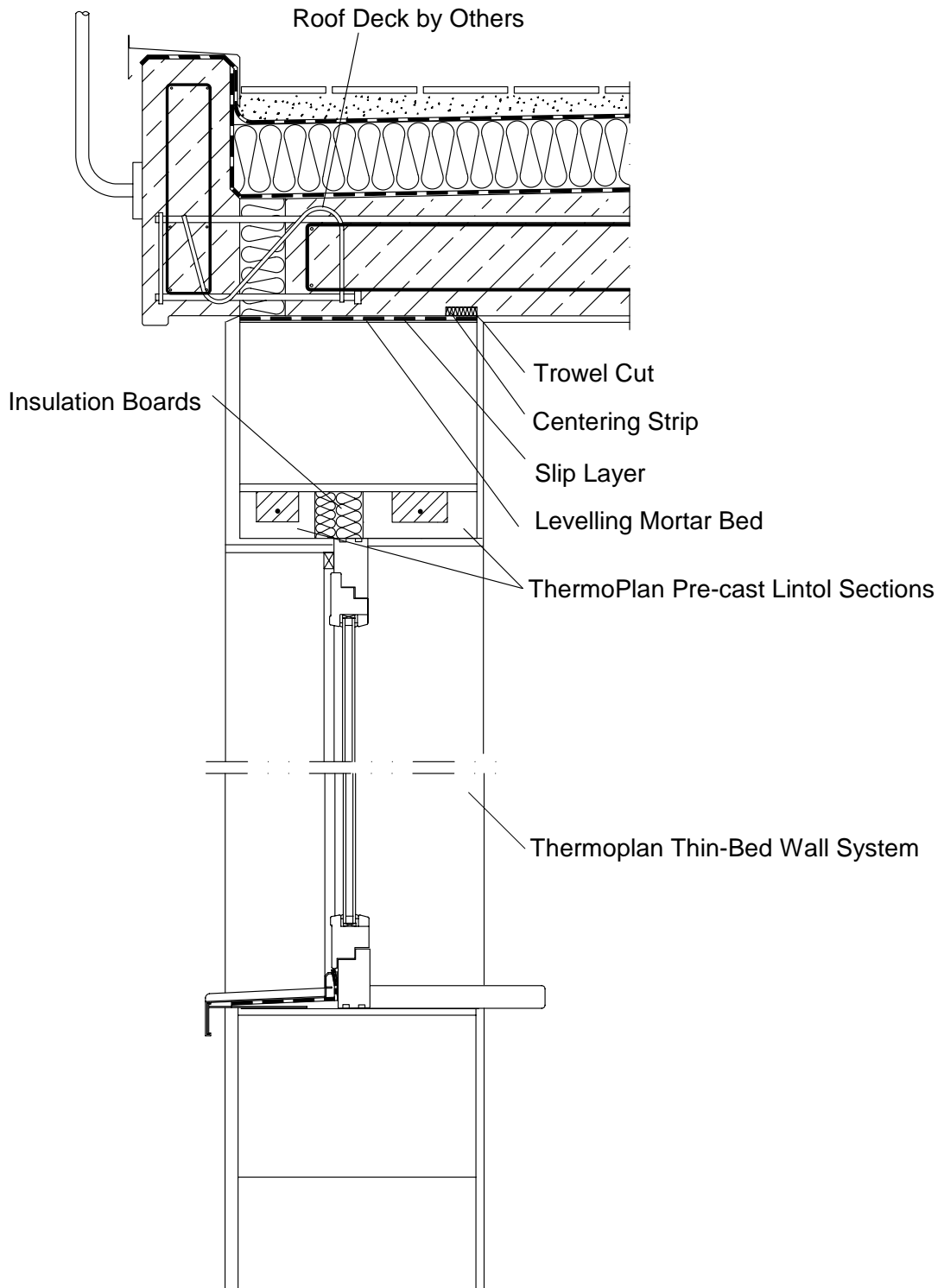
The Hangar, Worminghall Road,
Oakley, Buckinghamshire.

HP18 9UL

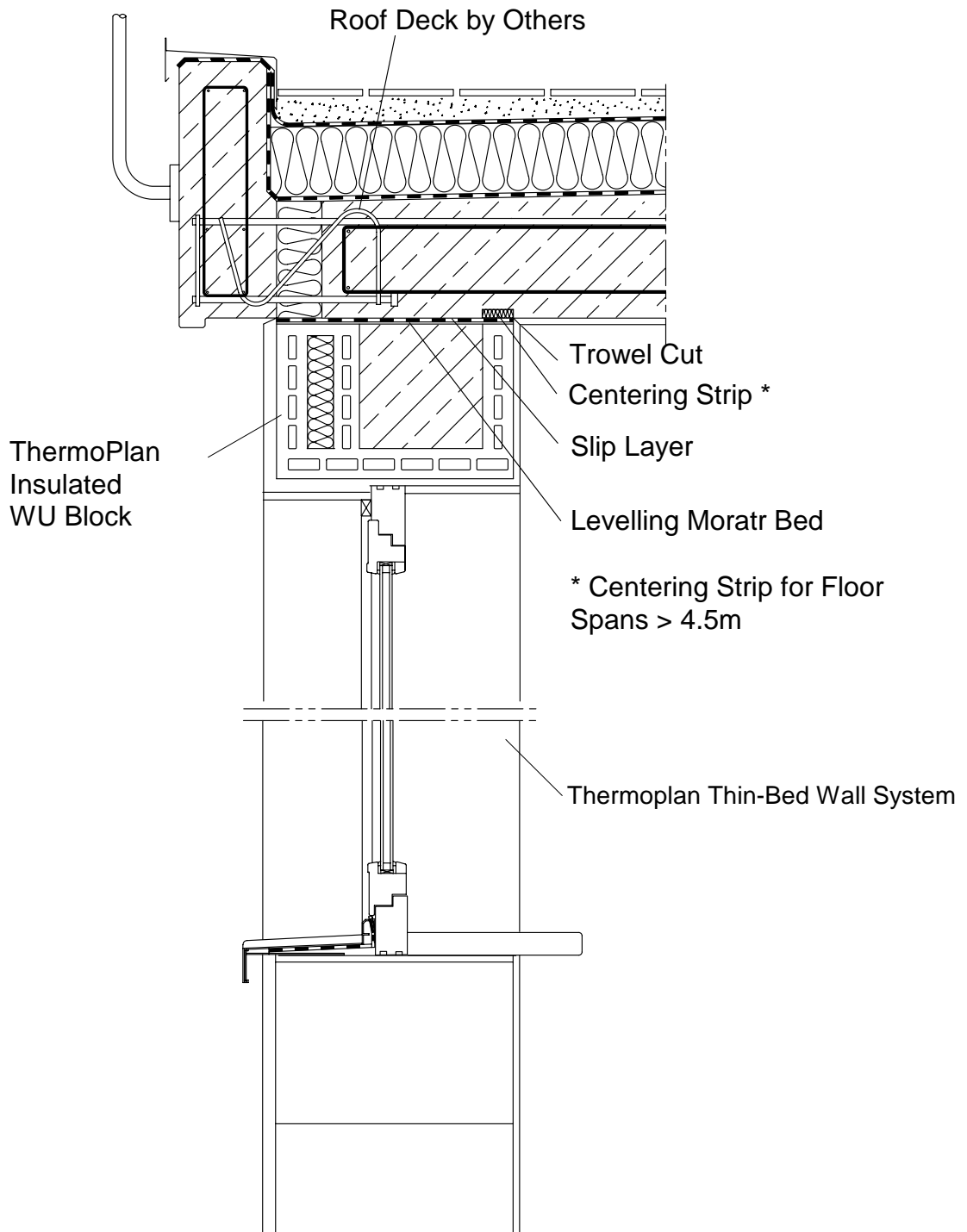
Tel: 01844 338338

Fax: 01844 338525

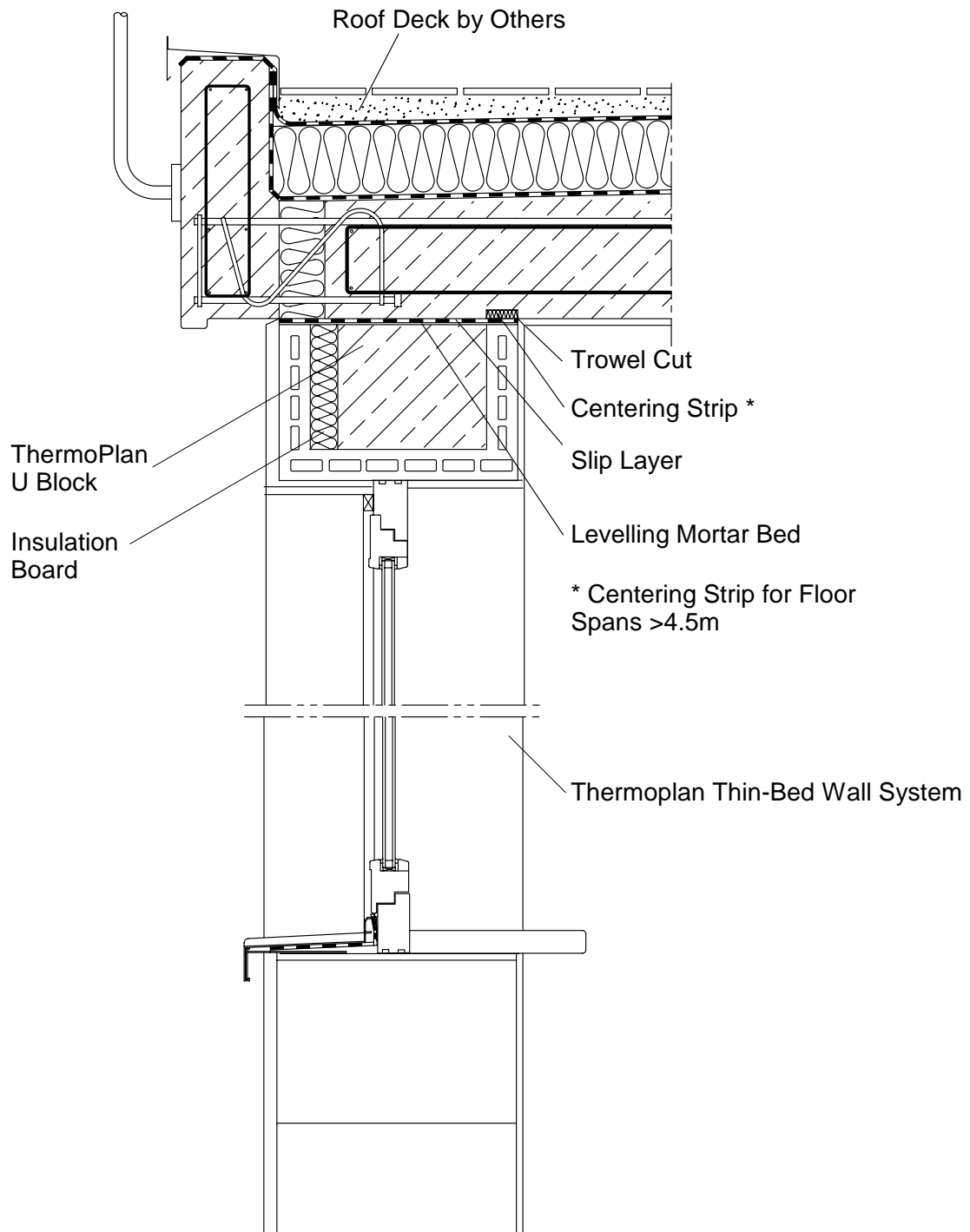
Email: info@natural-building.co.uk



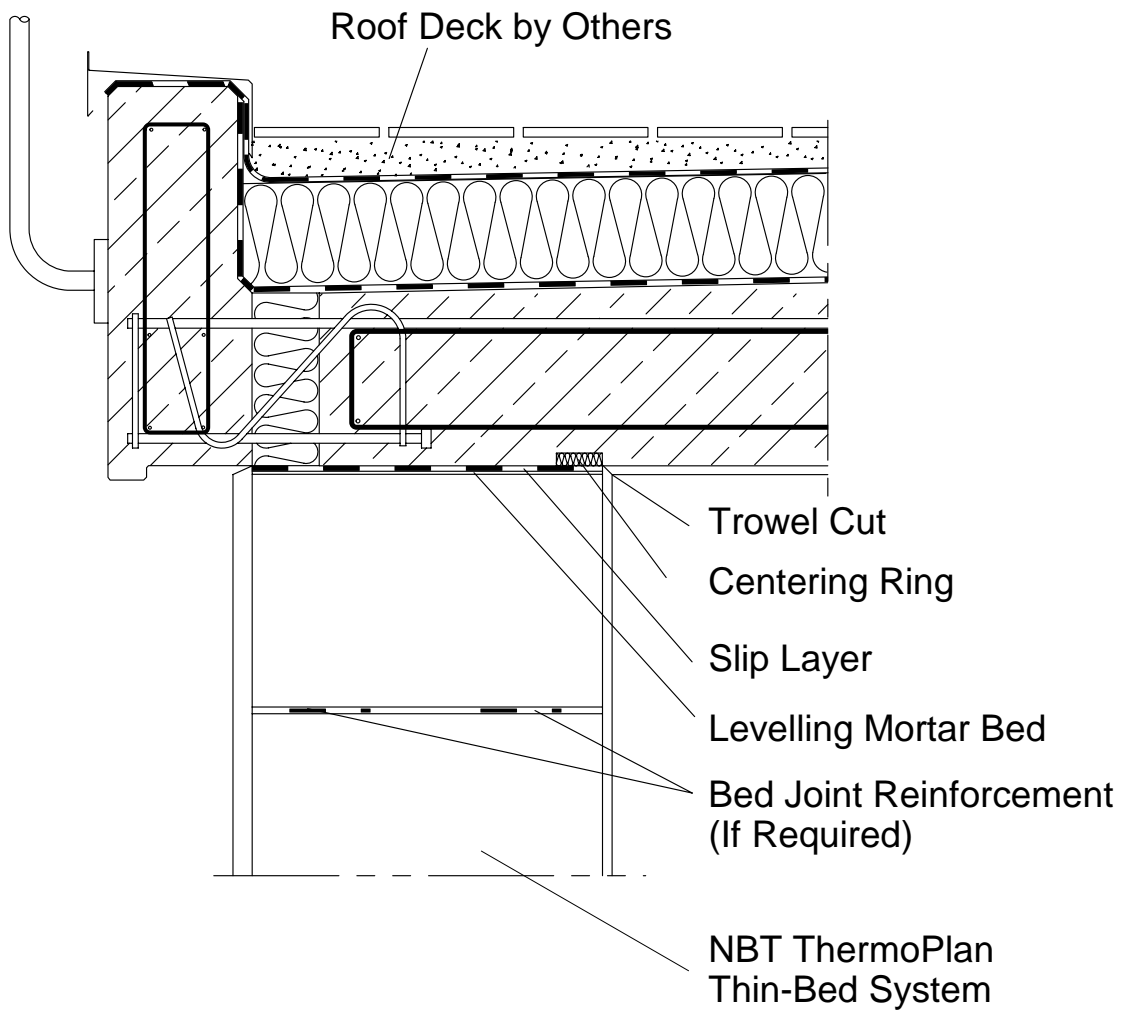
TITLE		
<i>NBT ThermoPlan Flat Roof Detail 4</i>		
PART NUMBER	DRAWN BY	DATE
<i>PZBD4</i>	<i>R Cook</i>	<i>26/09/2006</i>
CAD FILE NAME		
<i>PZRD4</i>		



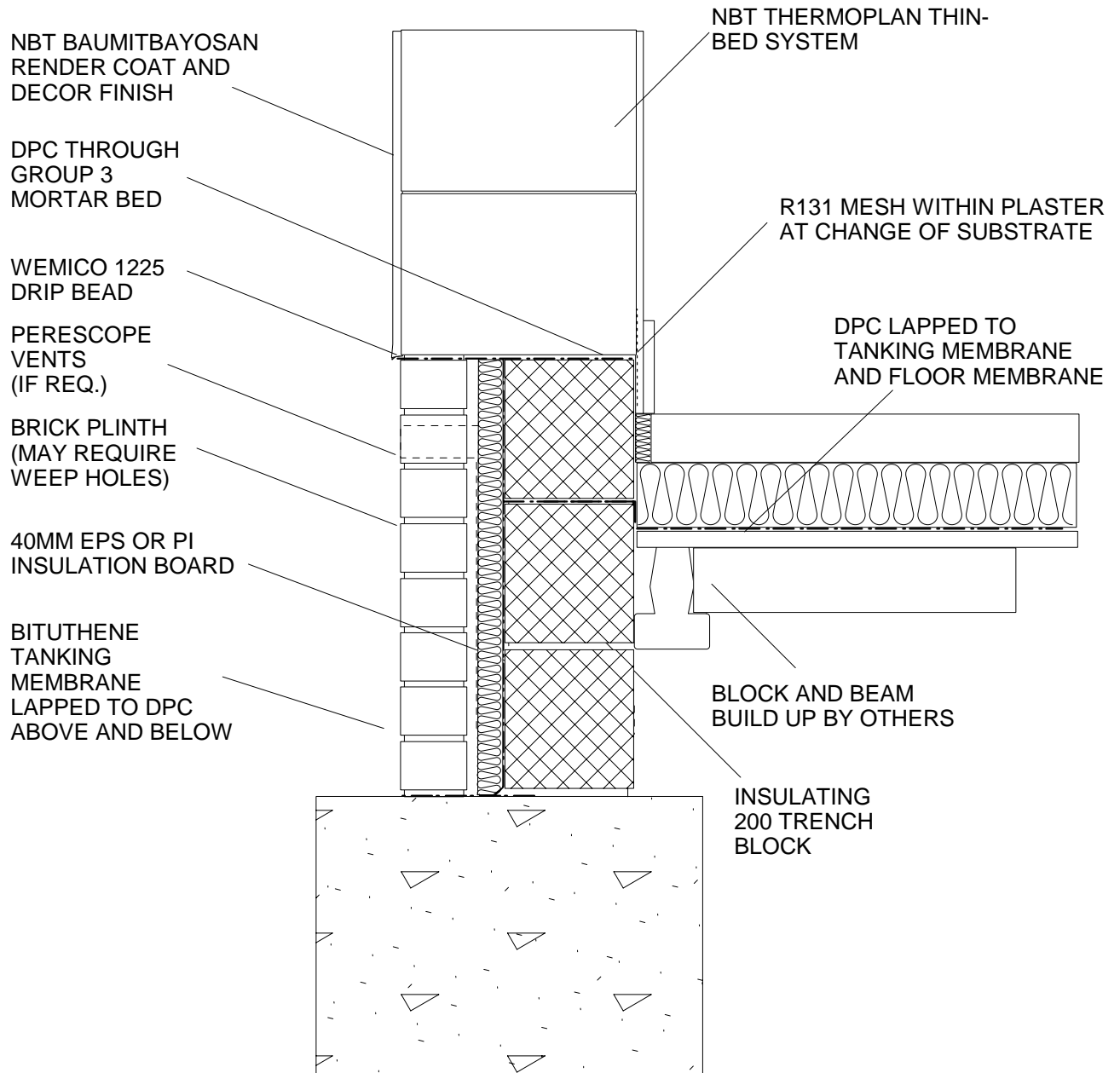
TITLE		
<i>NBT ThermoPlan Flat Roof Detail 3</i>		
PART NUMBER	DRAWN BY	DATE
<i>PZRD3</i>	<i>R Cook</i>	<i>26/09/2006</i>
CAD FILE NAME		
<i>PZRD3</i>		



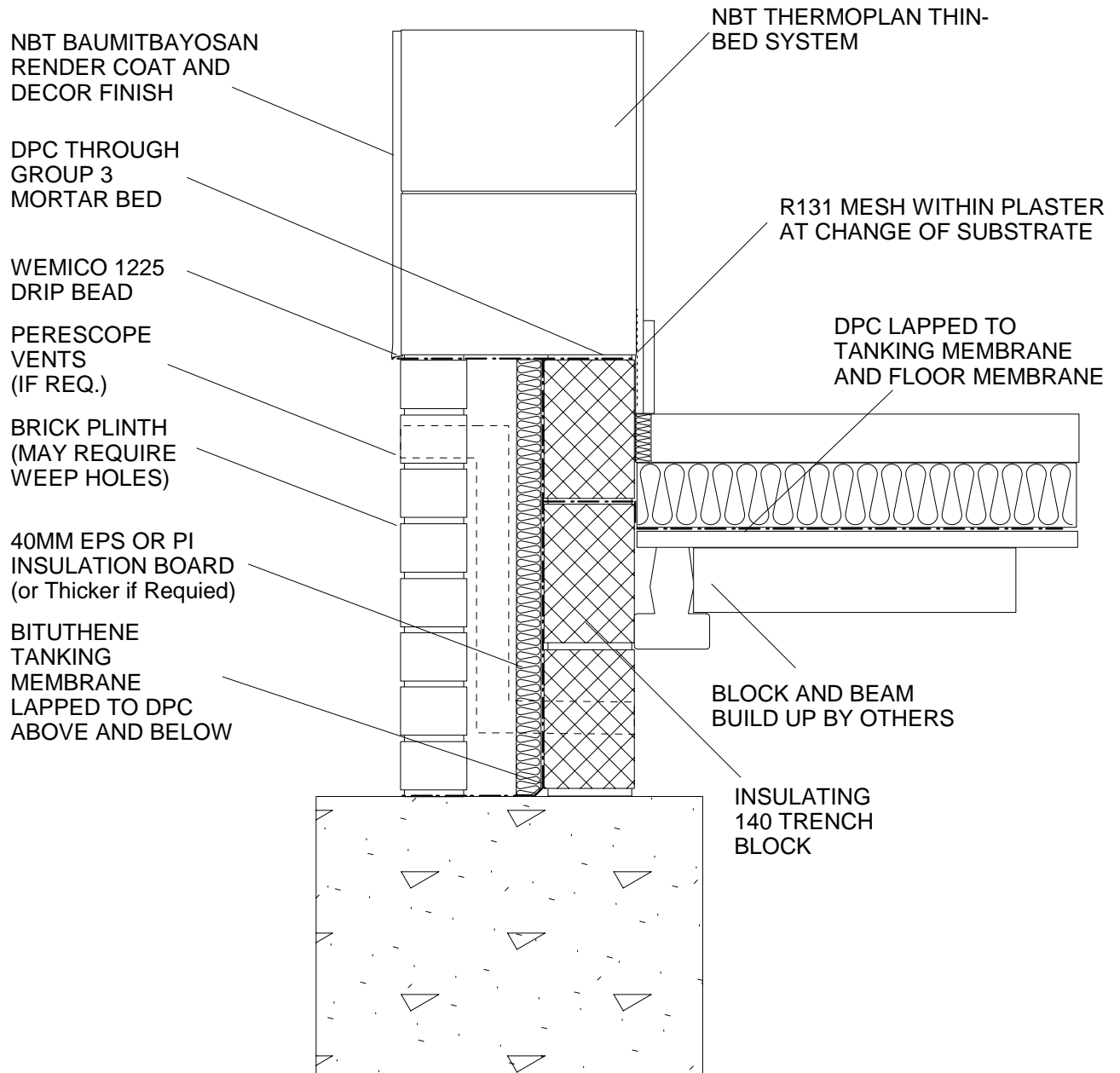
TITLE		
<i>NBT ThermoPlan Flat Roof Detail 2</i>		
PART NUMBER	DRAWN BY	DATE
<i>PZRD2</i>	<i>R Cook</i>	<i>26/09/2006</i>
CAD FILE NAME		
<i>PZRD2</i>		



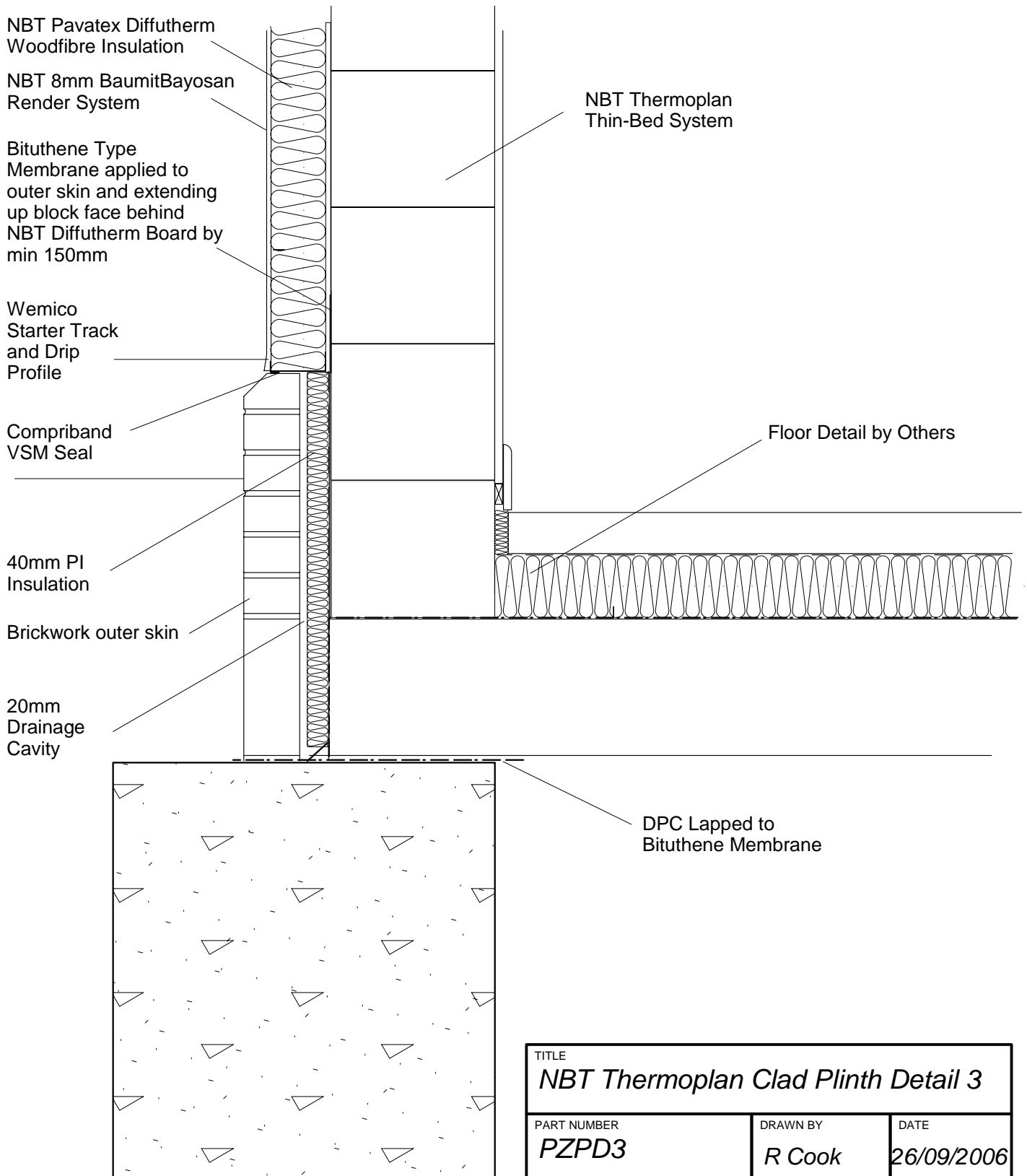
TITLE		
<i>NBT ThermoPlan Flat Roof Detail 1</i>		
PART NUMBER	DRAWN BY	DATE
<i>PZRD1</i>	<i>R Cook</i>	<i>26/09/2006</i>
CAD FILE NAME		
<i>PZRD1</i>		



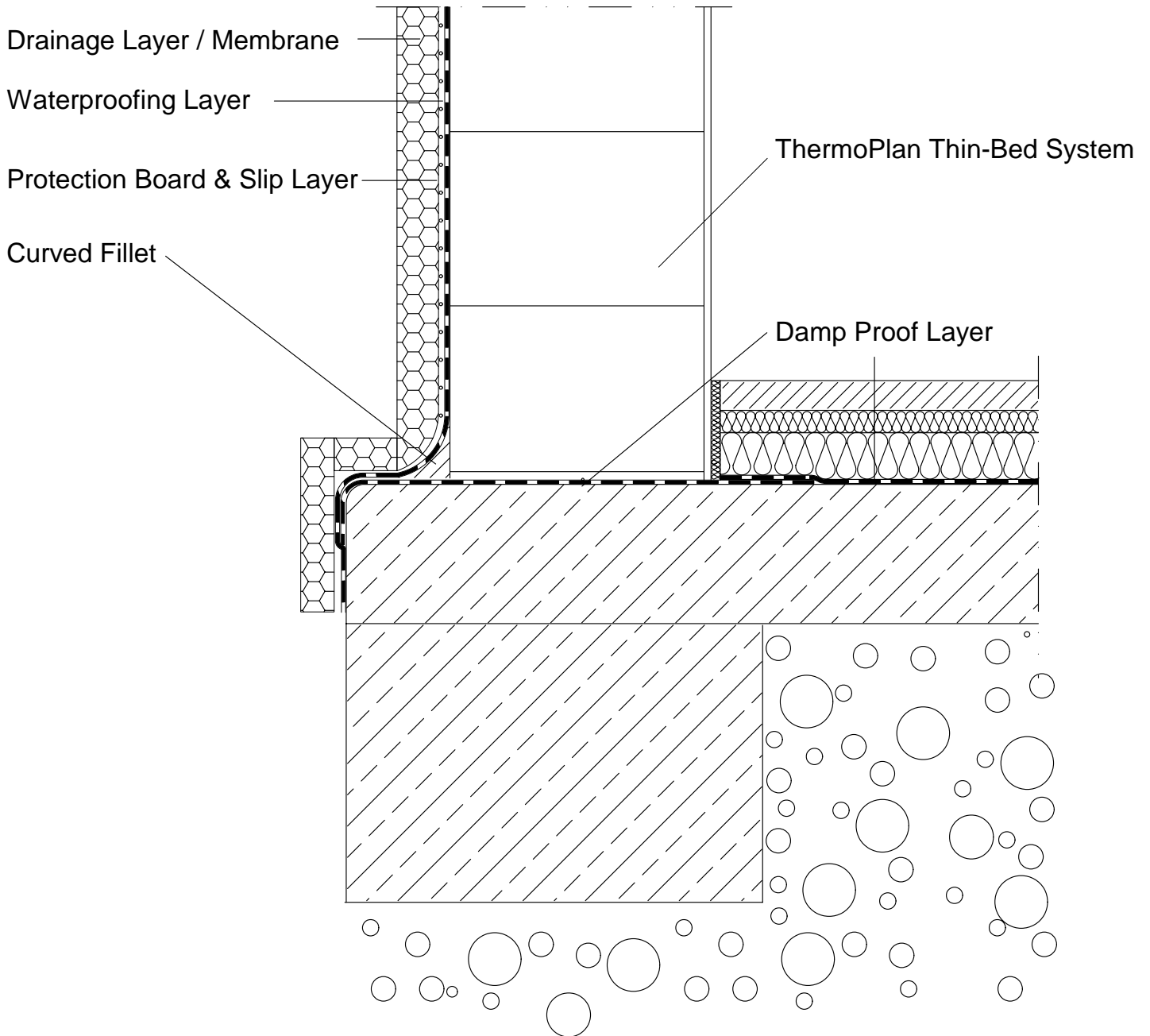
TITLE		
<i>NBT Thermoplan Plinth Detail 5</i>		
PART NUMBER	DRAWN BY	DATE
<i>PZPD5</i>	<i>R Cook</i>	<i>26/09/2006</i>
CAD FILE NAME		
<i>PZBD5</i>		



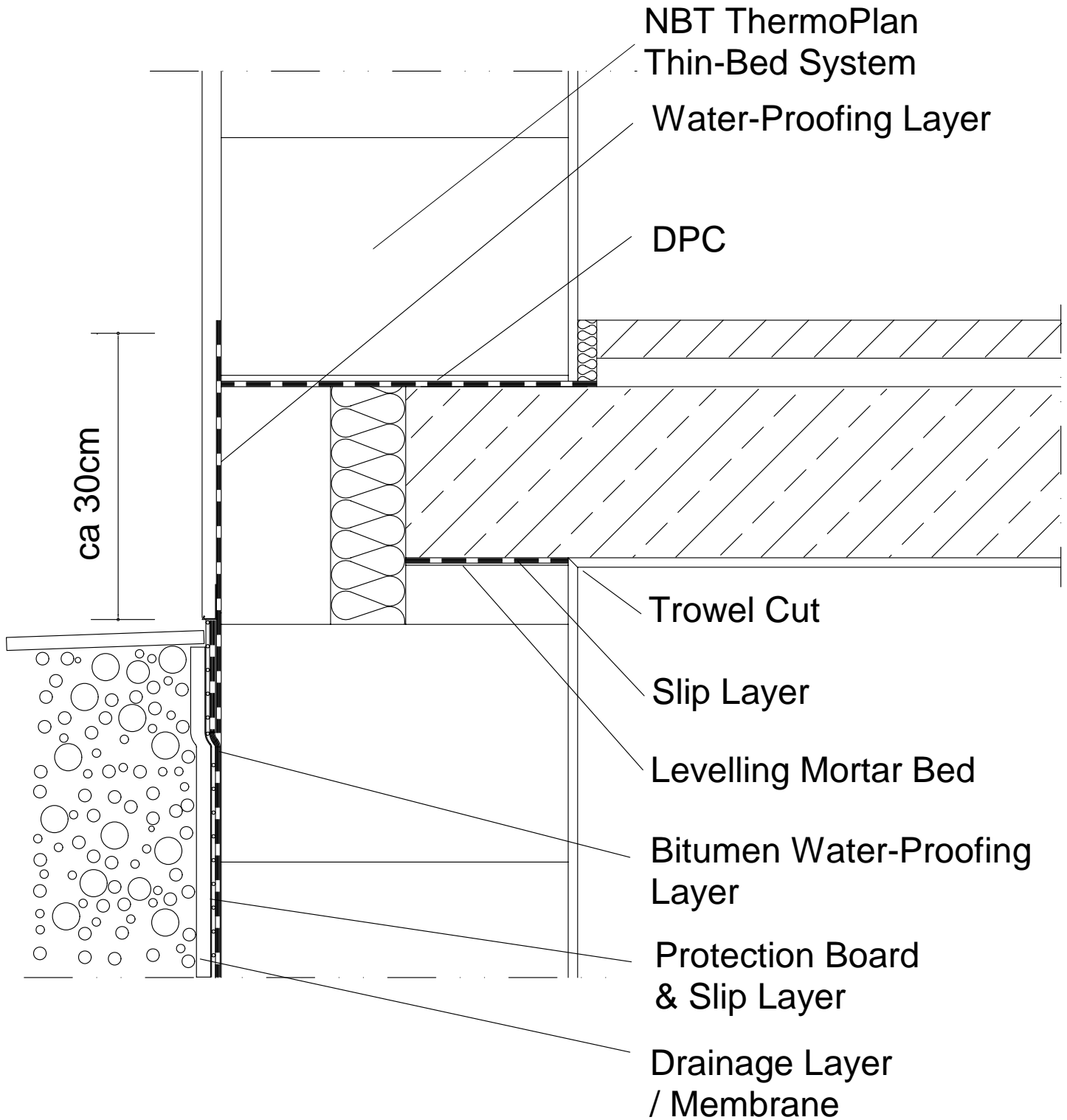
TITLE		
<i>NBT Thermoplan Plinth Detail 4</i>		
PART NUMBER	DRAWN BY	DATE
<i>PZPD4</i>	<i>R Cook</i>	<i>26/09/2006</i>
CAD FILE NAME		
<i>PZPD4</i>		



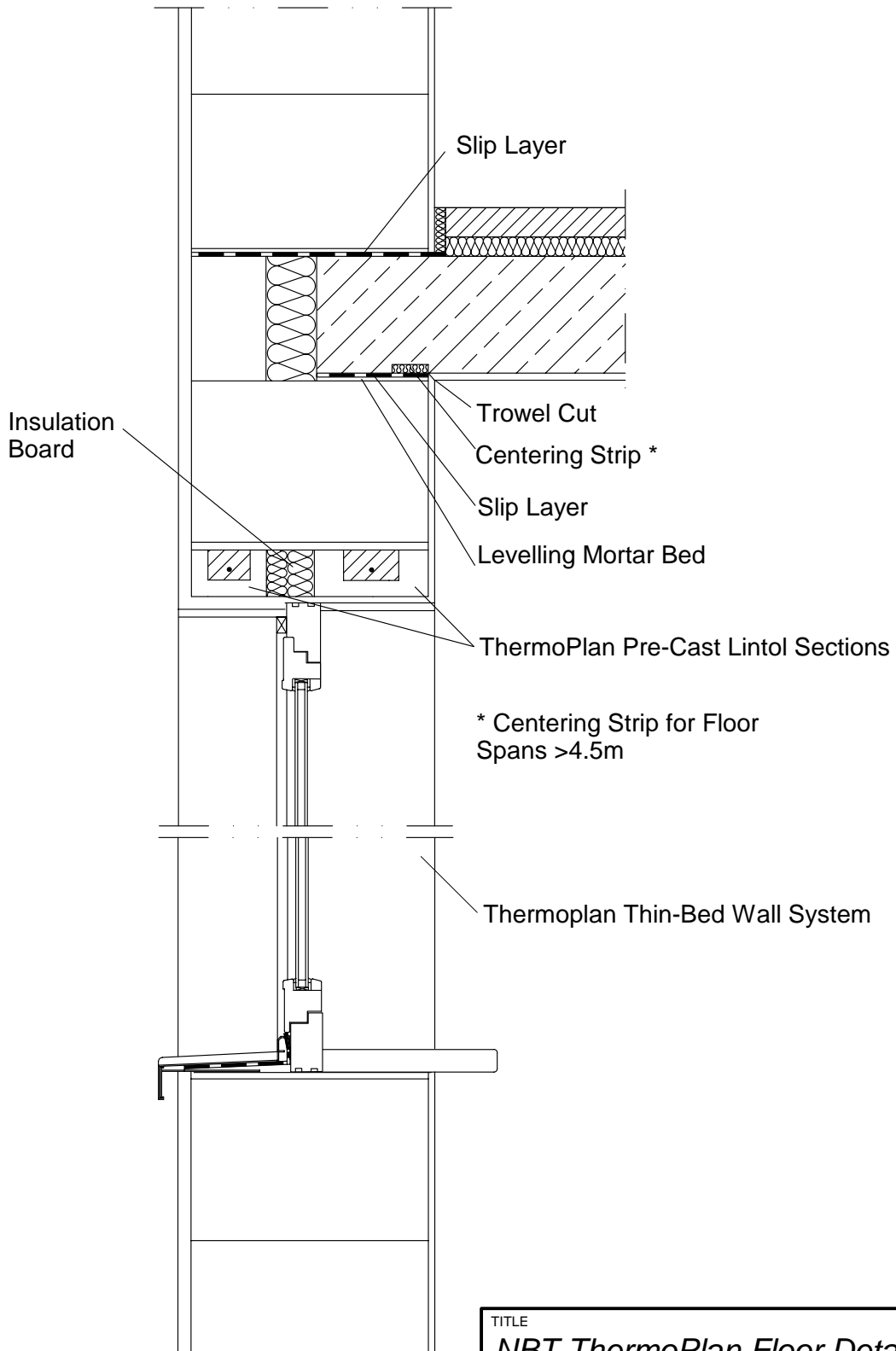
TITLE		
<i>NBT Thermoplan Clad Plinth Detail 3</i>		
PART NUMBER	DRAWN BY	DATE
<i>PZPD3</i>	<i>R Cook</i>	<i>26/09/2006</i>
CAD FILE NAME		
<i>PZPD3</i>		



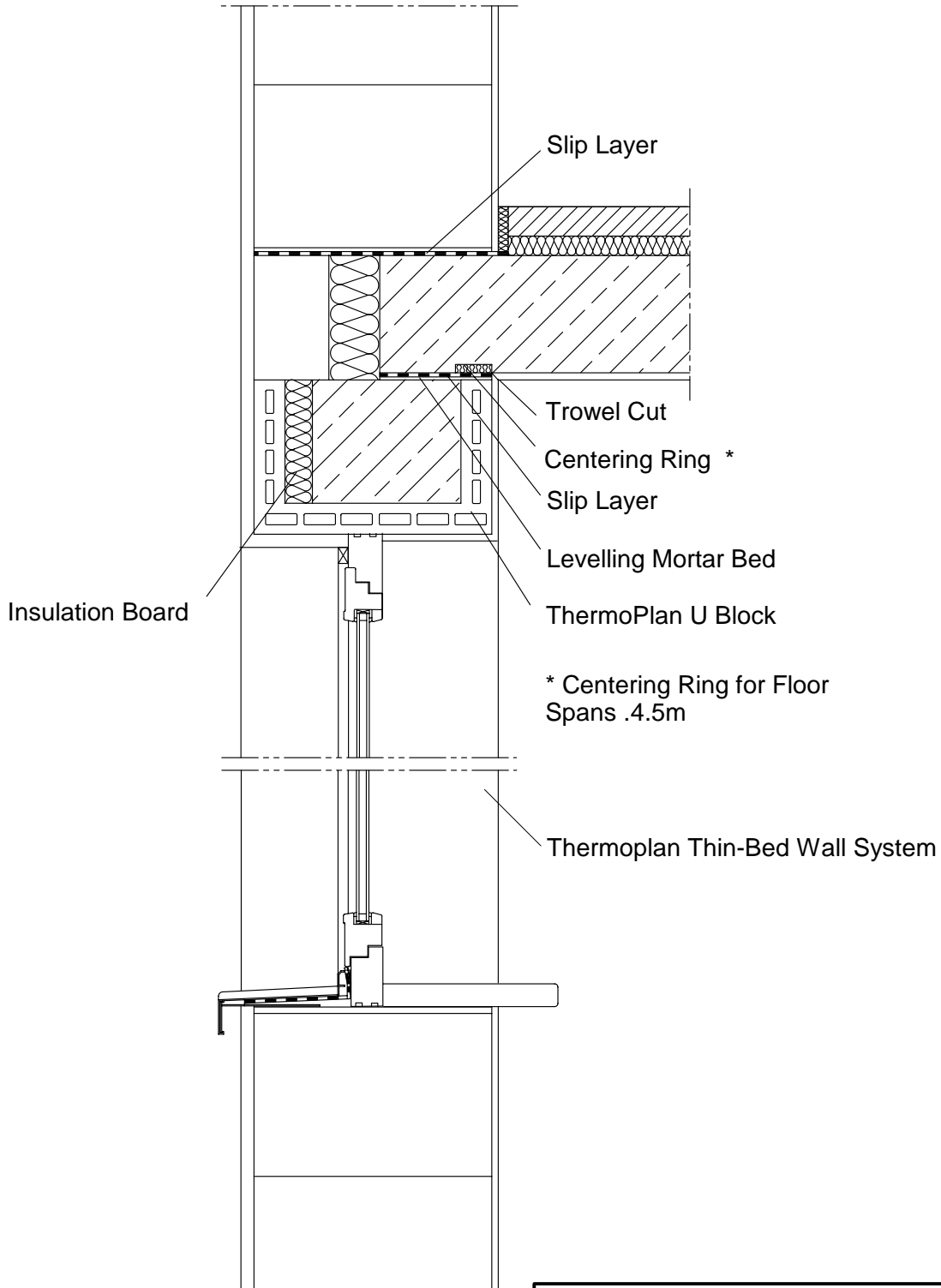
TITLE		
<i>NBT ThermoPlan Basement Detail 1</i>		
PART NUMBER	DRAWN BY	DATE
<i>PZPD2</i>	<i>R Cook</i>	<i>26/09/2006</i>
CAD FILE NAME		
<i>PZBD2</i>		



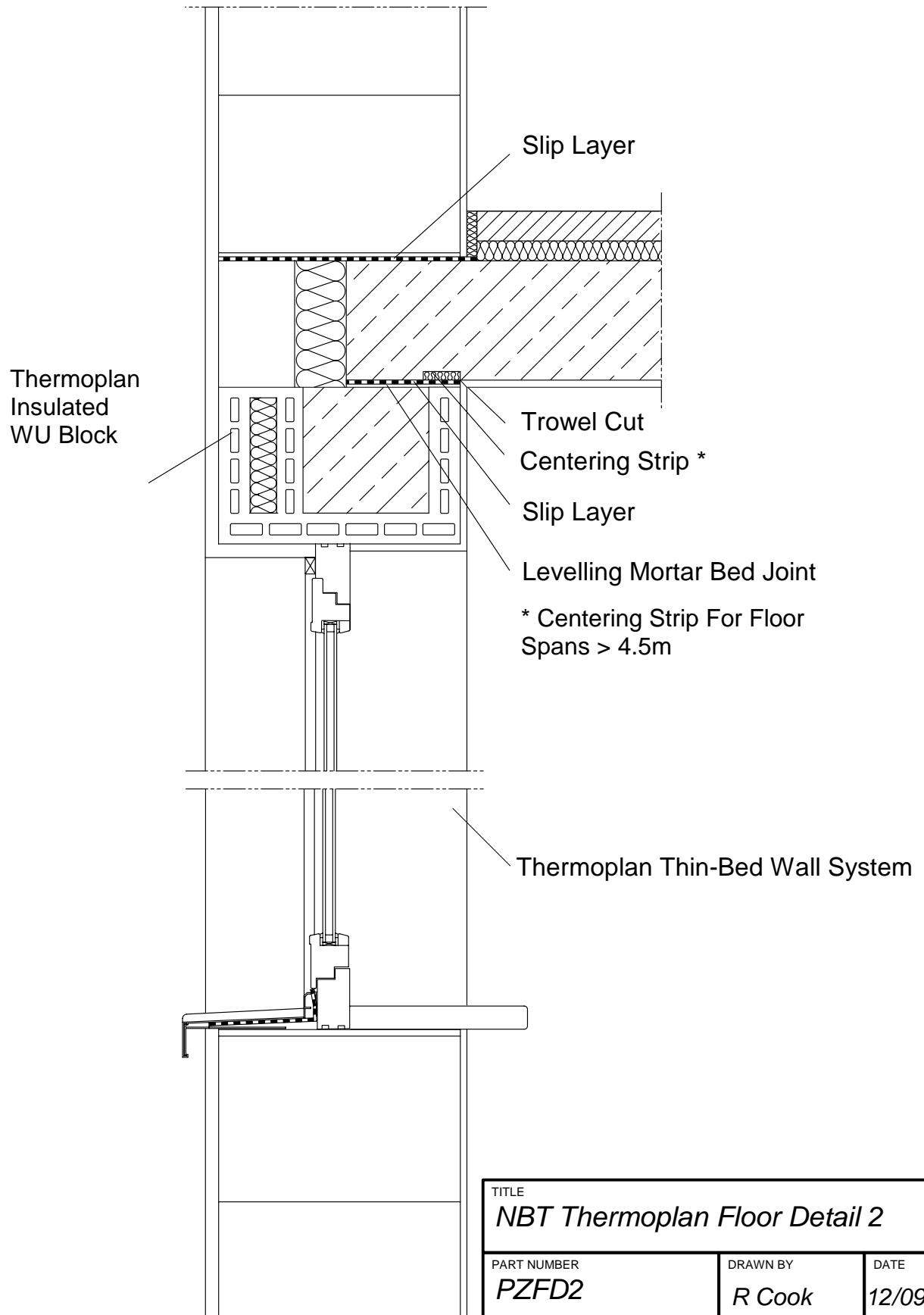
TITLE		
<i>NBT ThermoPlan Plinth Detail 1</i>		
PART NUMBER	DRAWN BY	DATE
<i>PZPD1</i>	<i>R Cook</i>	<i>26/09/2006</i>
CAD FILE NAME		
PZPD1		



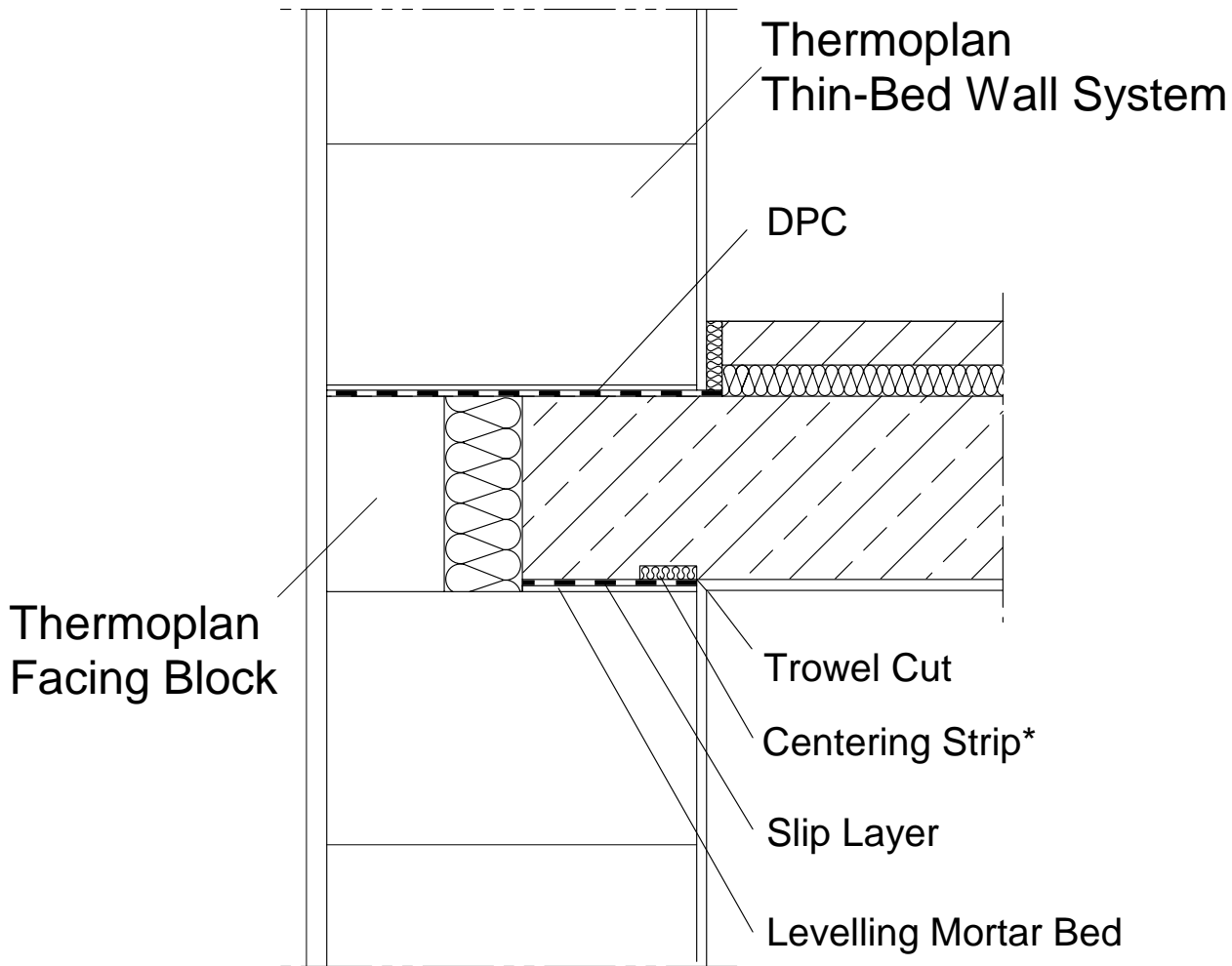
TITLE		
<i>NBT ThermoPlan Floor Detail 4</i>		
PART NUMBER	DRAWN BY	DATE
<i>PZFD4</i>	<i>R Cook</i>	<i>26/09/2006</i>
CAD FILE NAME		
<i>PZFD4</i>		



TITLE <i>NBT ThermoPlan Floor Detail 3</i>		
PART NUMBER <i>PZFD3</i>	DRAWN BY <i>R Cook</i>	DATE <i>26/09/2006</i>
CAD FILE NAME <i>PZFD3</i>		

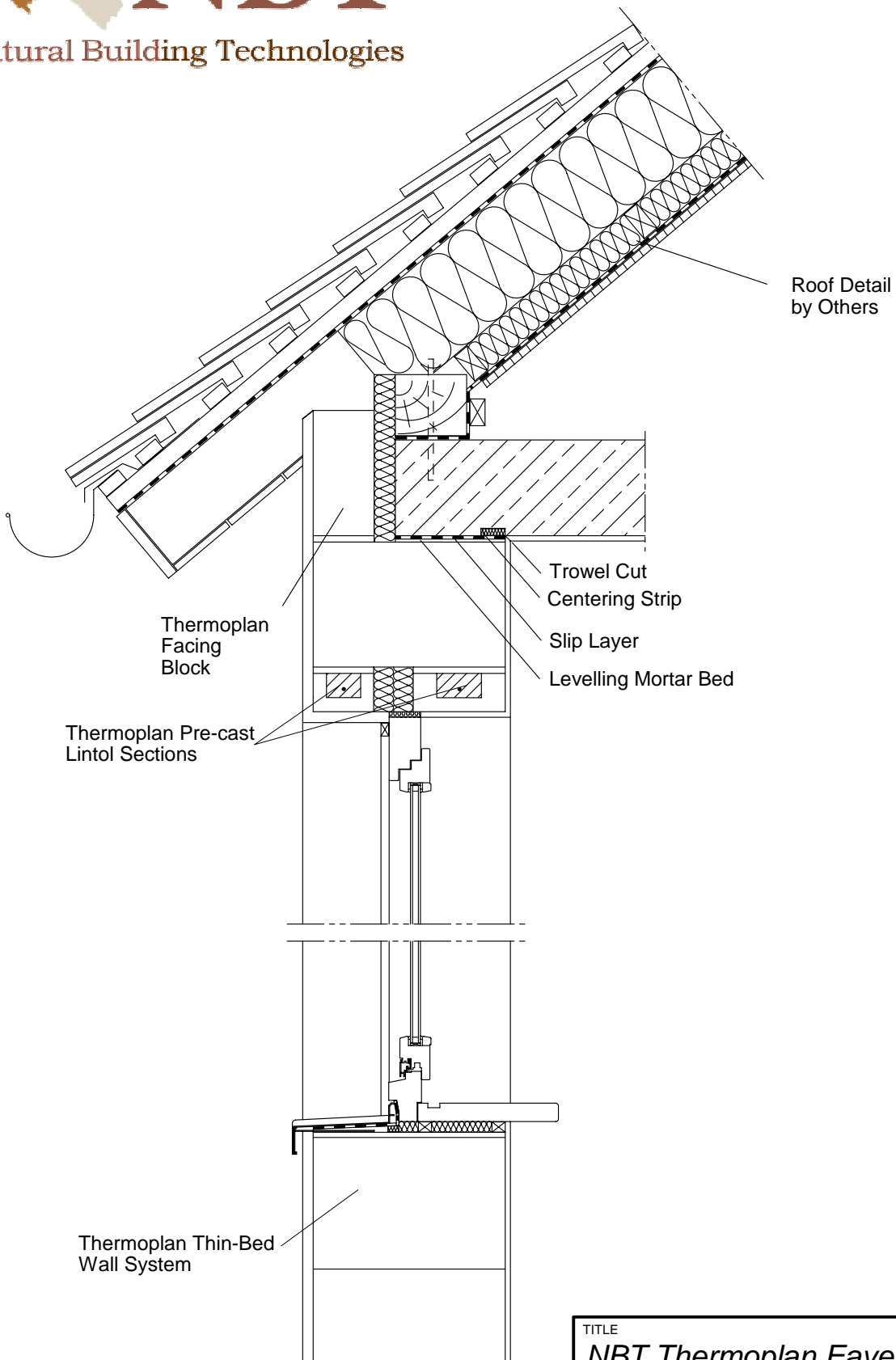


TITLE		
<i>NBT Thermoplan Floor Detail 2</i>		
PART NUMBER	DRAWN BY	DATE
<i>PZFD2</i>	<i>R Cook</i>	<i>12/09/2006</i>
CAD FILE NAME		
<i>PZFD2</i>		

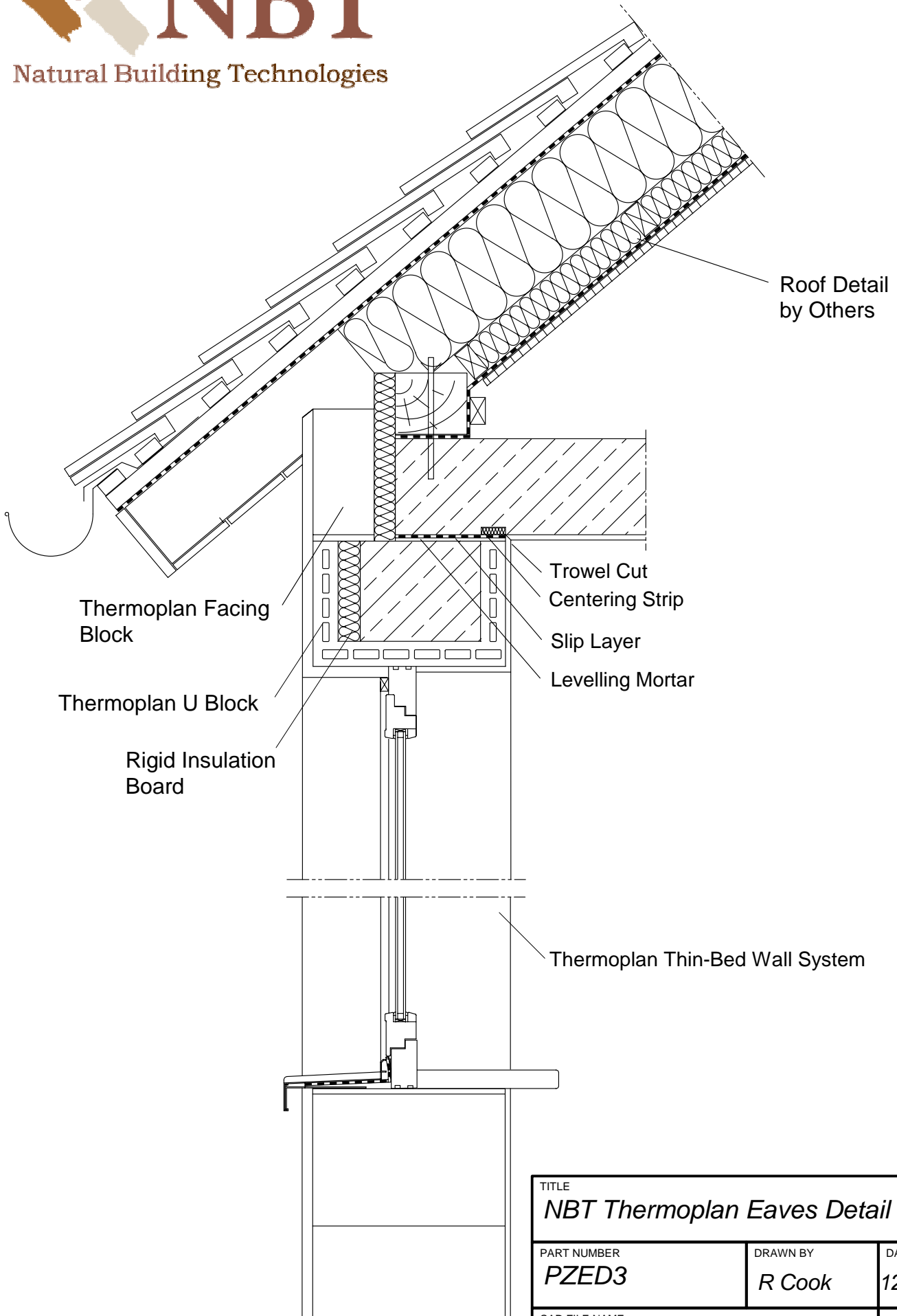


* Centering Strip for
Floor Spans >4.5m

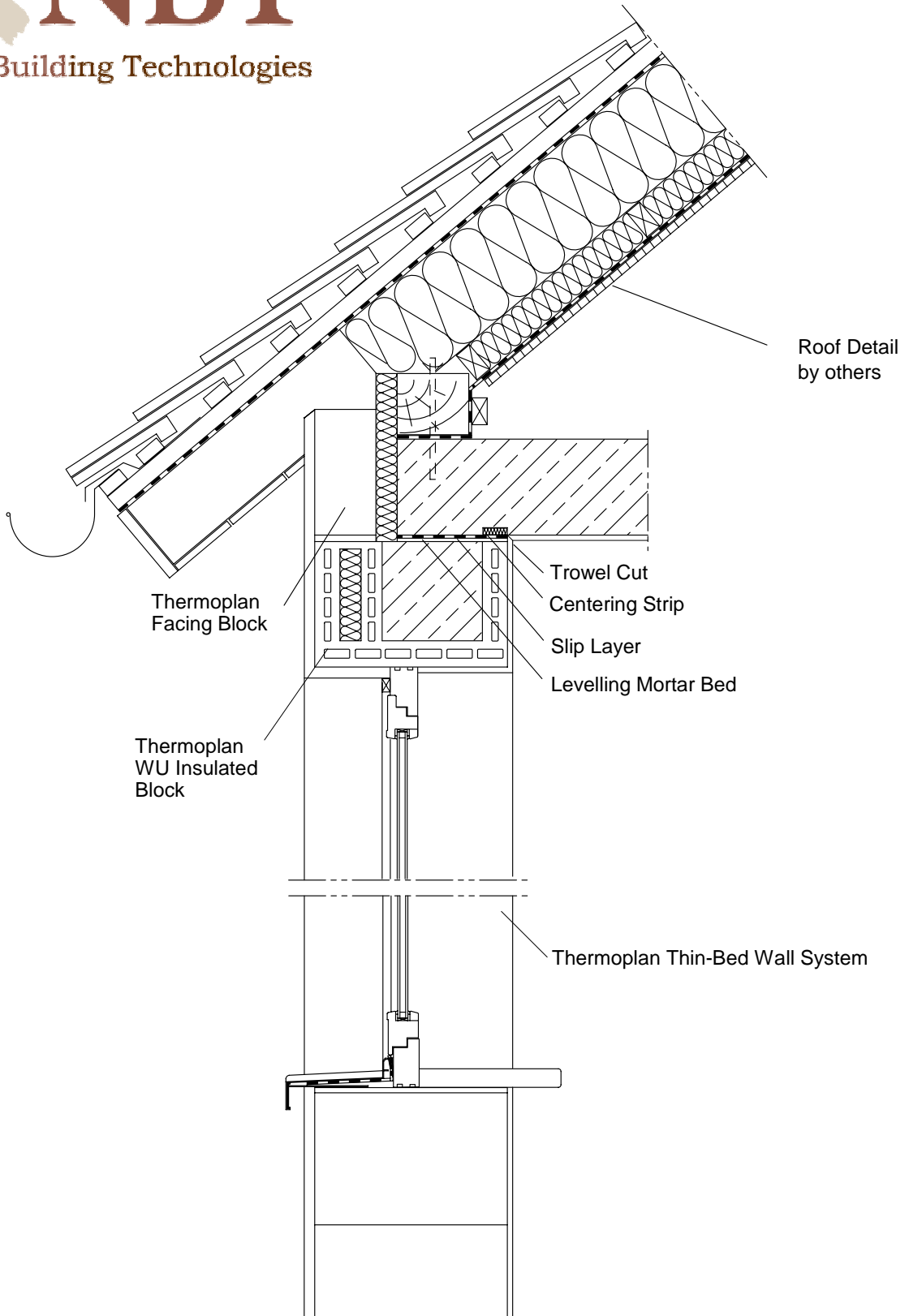
TITLE <i>NBT Thermoplan Floor Detail 1</i>		
PART NUMBER <i>PZFD1</i>	DRAWN BY <i>R Cook</i>	DATE <i>12/09/2006</i>
CAD FILE NAME <i>PZFD1</i>		



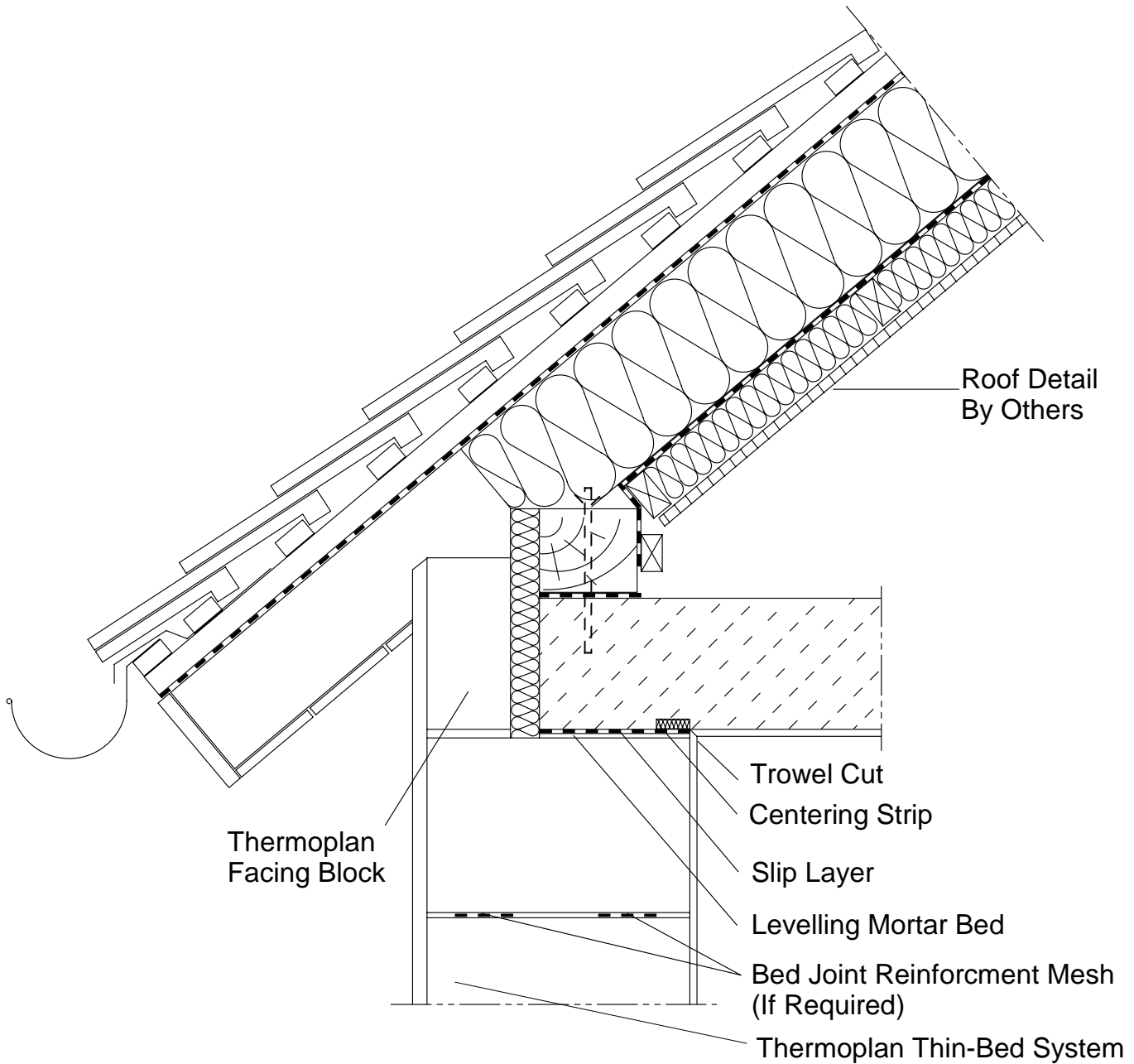
TITLE		
<i>NBT Thermoplan Eaves Detail 4</i>		
PART NUMBER	DRAWN BY	DATE
<i>PZED4</i>	<i>R Cook</i>	<i>12/09/2006</i>
CAD FILE NAME		
<i>PZED4</i>		



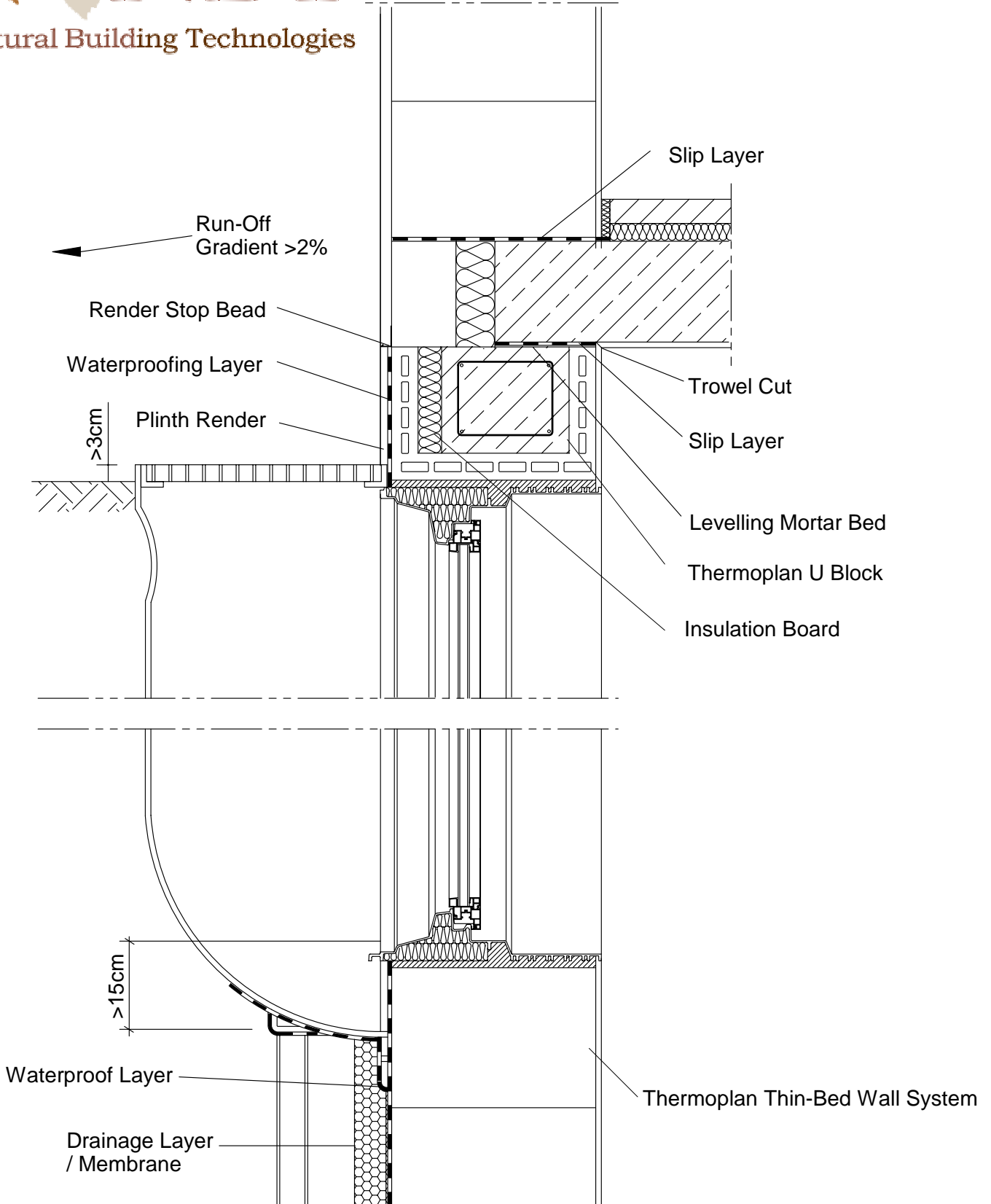
TITLE		
<i>NBT Thermoplan Eaves Detail 3</i>		
PART NUMBER	DRAWN BY	DATE
<i>PZED3</i>	<i>R Cook</i>	<i>12/09/2006</i>
CAD FILE NAME		
<i>PZED3</i>		



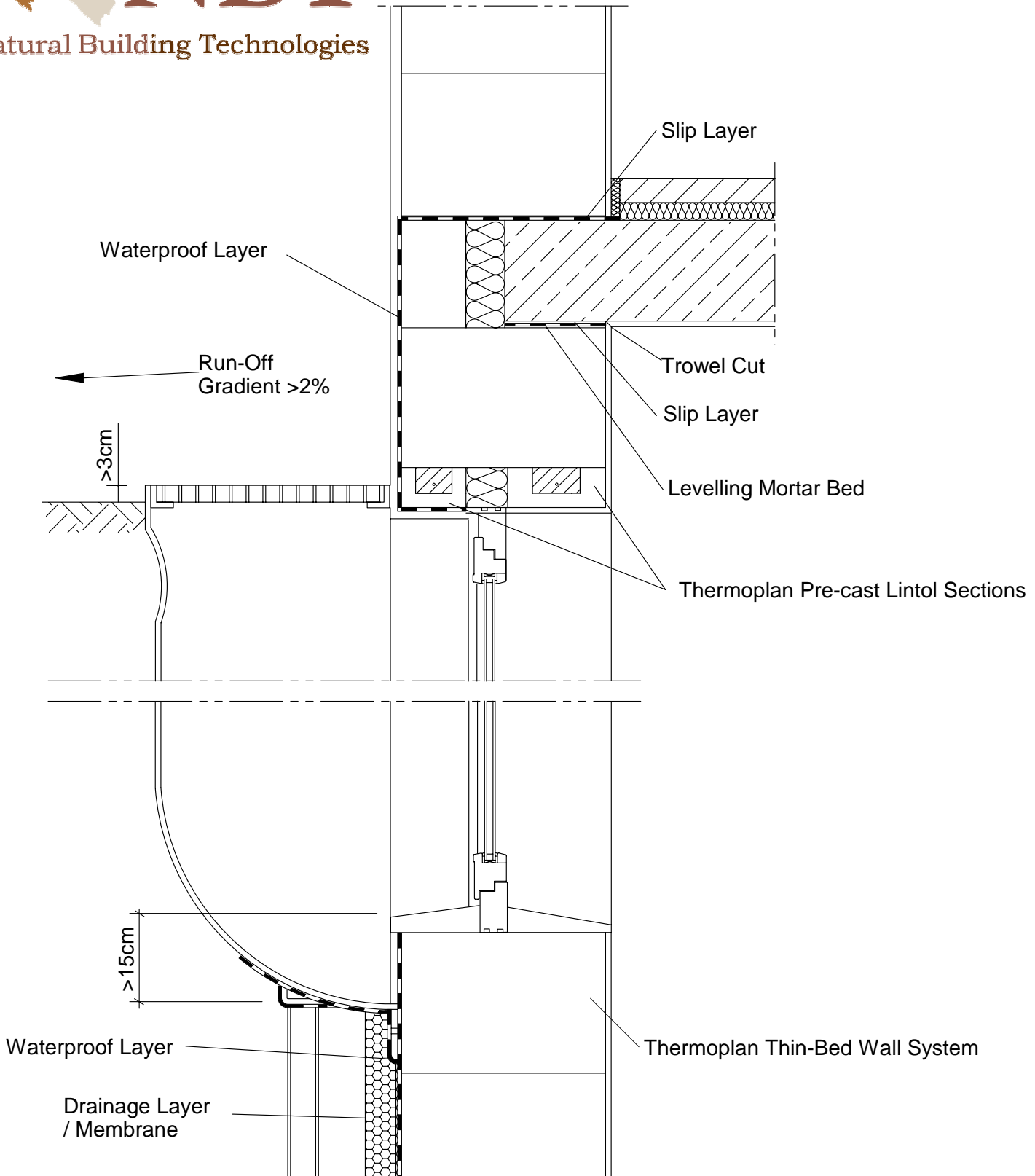
TITLE <i>NBT Thermoplan Detail 2</i>		
PART NUMBER <i>PZED2</i>	DRAWN BY <i>R Cook</i>	DATE <i>12/09/2006</i>
CAD FILE NAME <i>PZED2</i>		



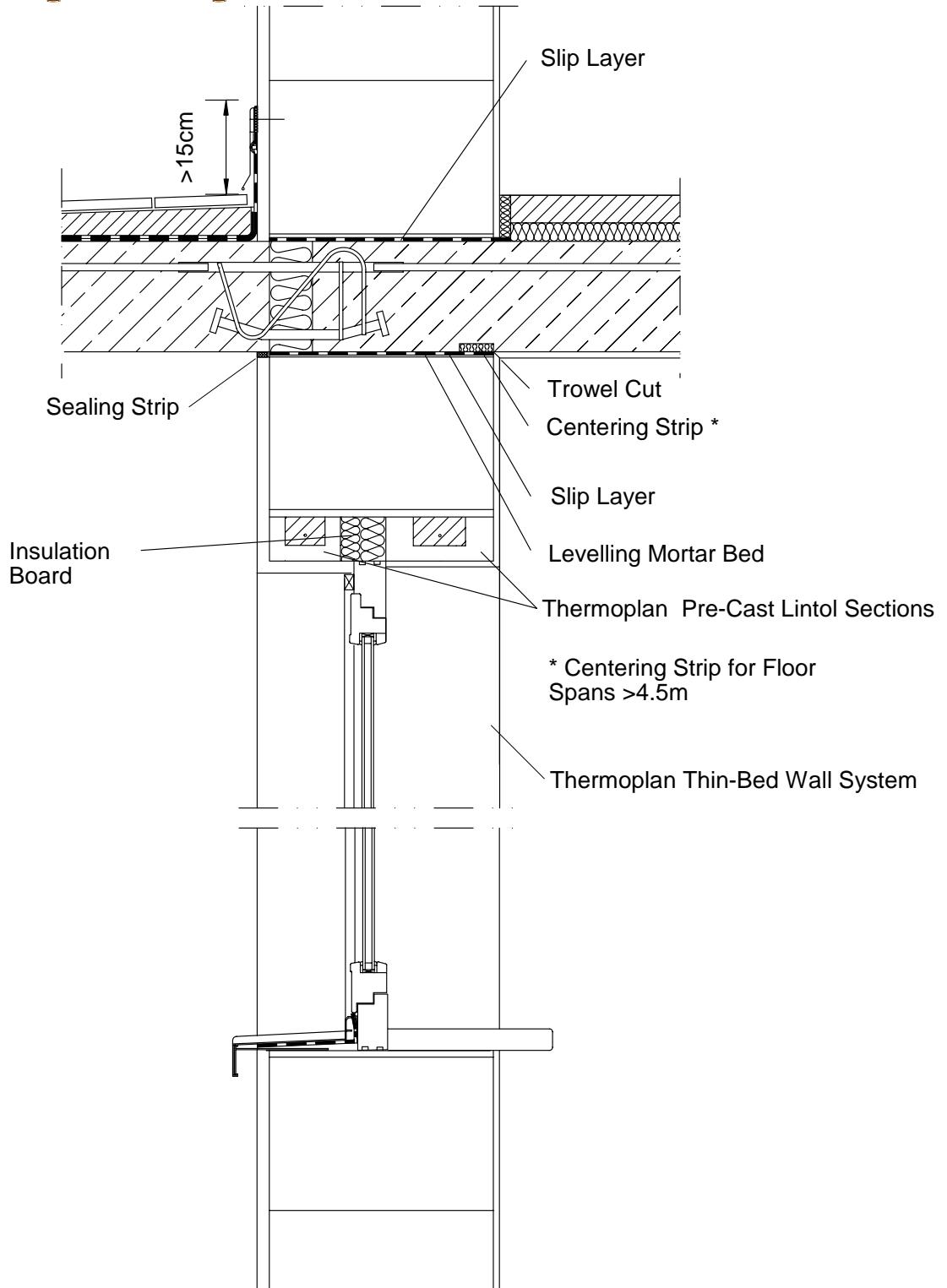
TITLE		
<i>NBT Thermoplan Eaves Detail 1</i>		
PART NUMBER	DRAWN BY	DATE
<i>PZED1</i>	<i>R Cook</i>	<i>12/09/2006</i>
CAD FILE NAME		
<i>PZED1</i>		



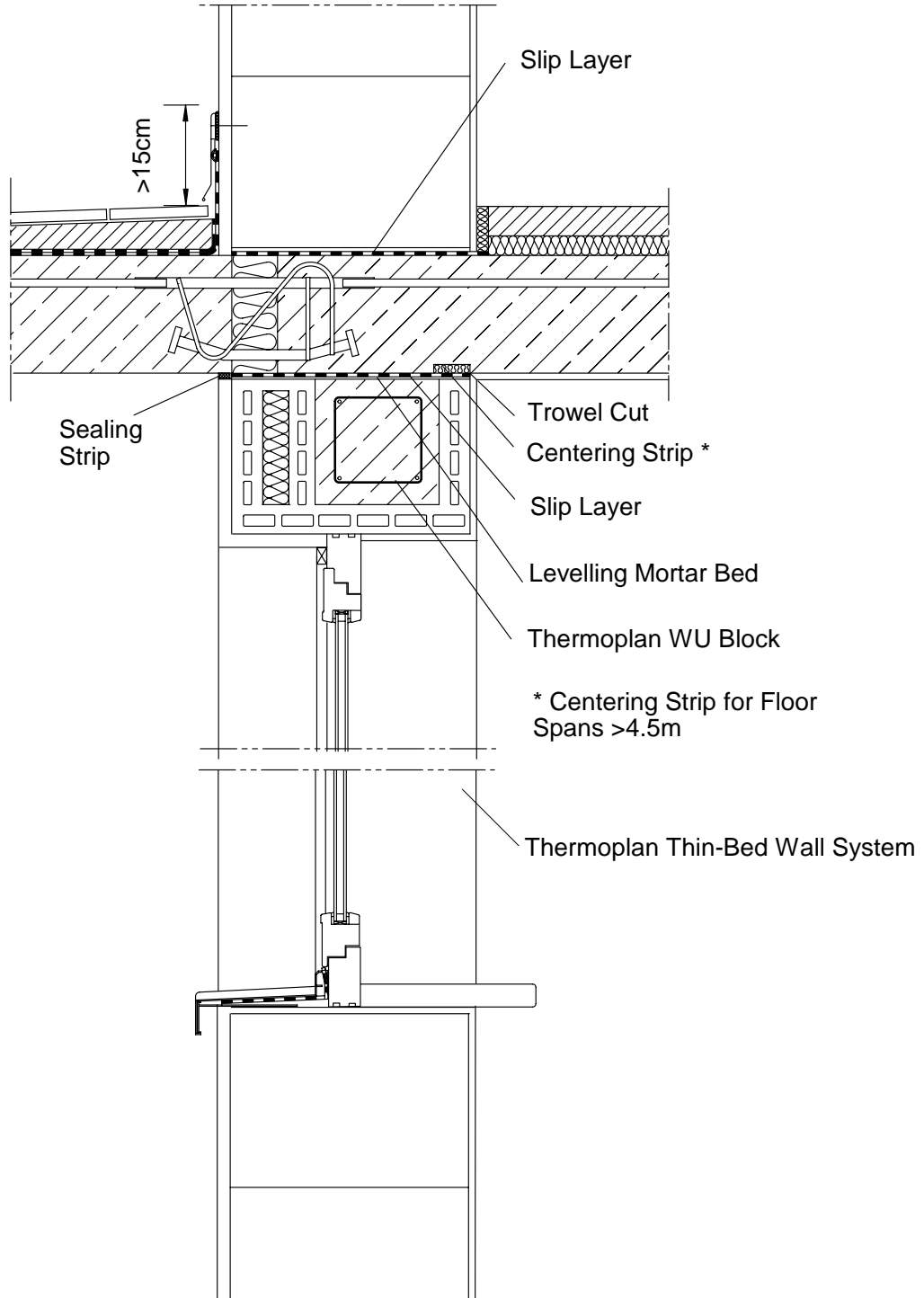
TITLE		
<i>NBT Thermoplan Cellar Detail 2</i>		
PART NUMBER	DRAWN BY	DATE
<i>PZCD2</i>	<i>R Cook</i>	<i>12/09/2006</i>
CAD FILE NAME		
<i>PZCD2</i>		



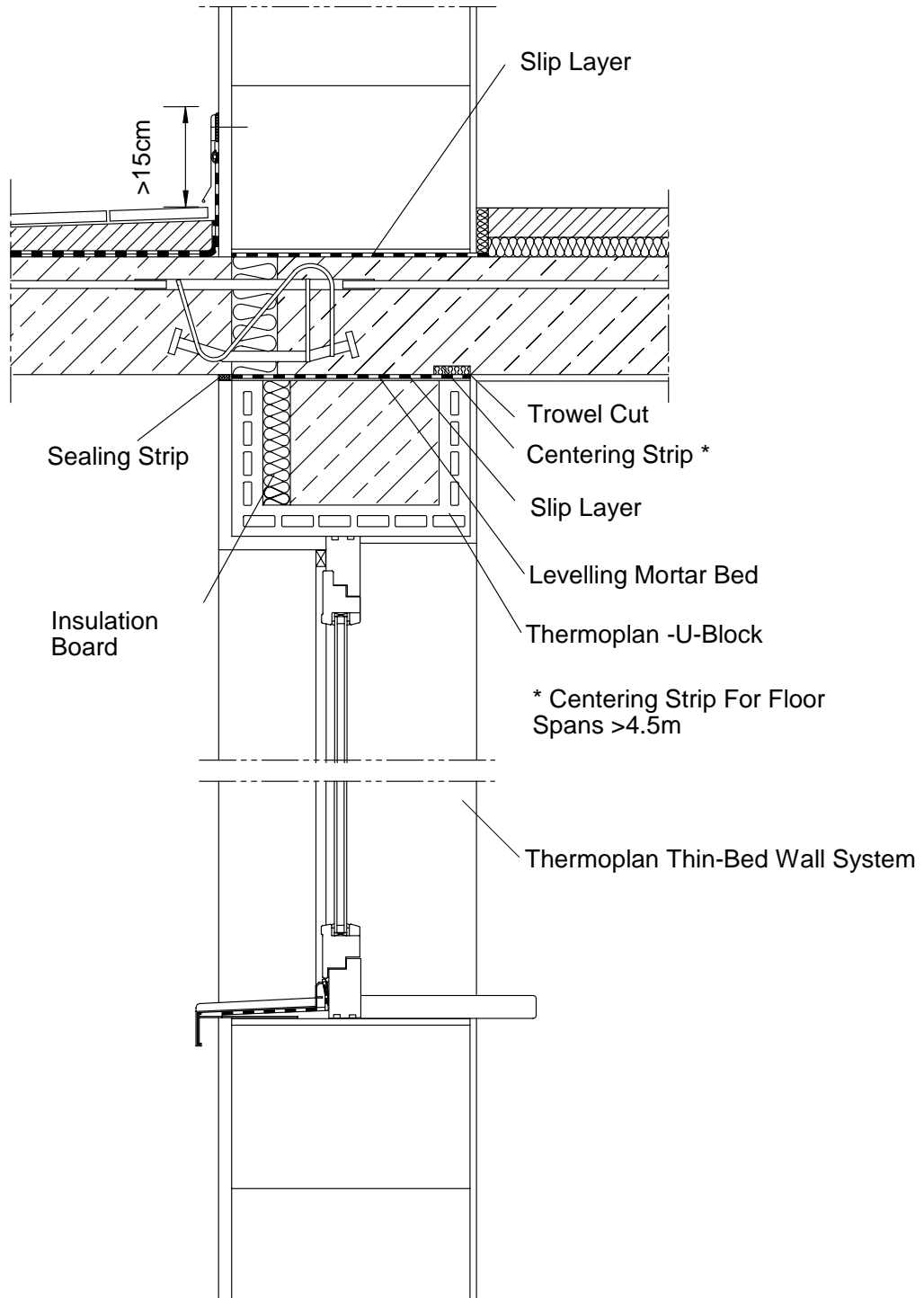
TITLE NBT Thermoplan Cellar Detail 1		
PART NUMBER PZCD1	DRAWN BY R Cook	DATE 12/09/2006
CAD FILE NAME PZCD1		



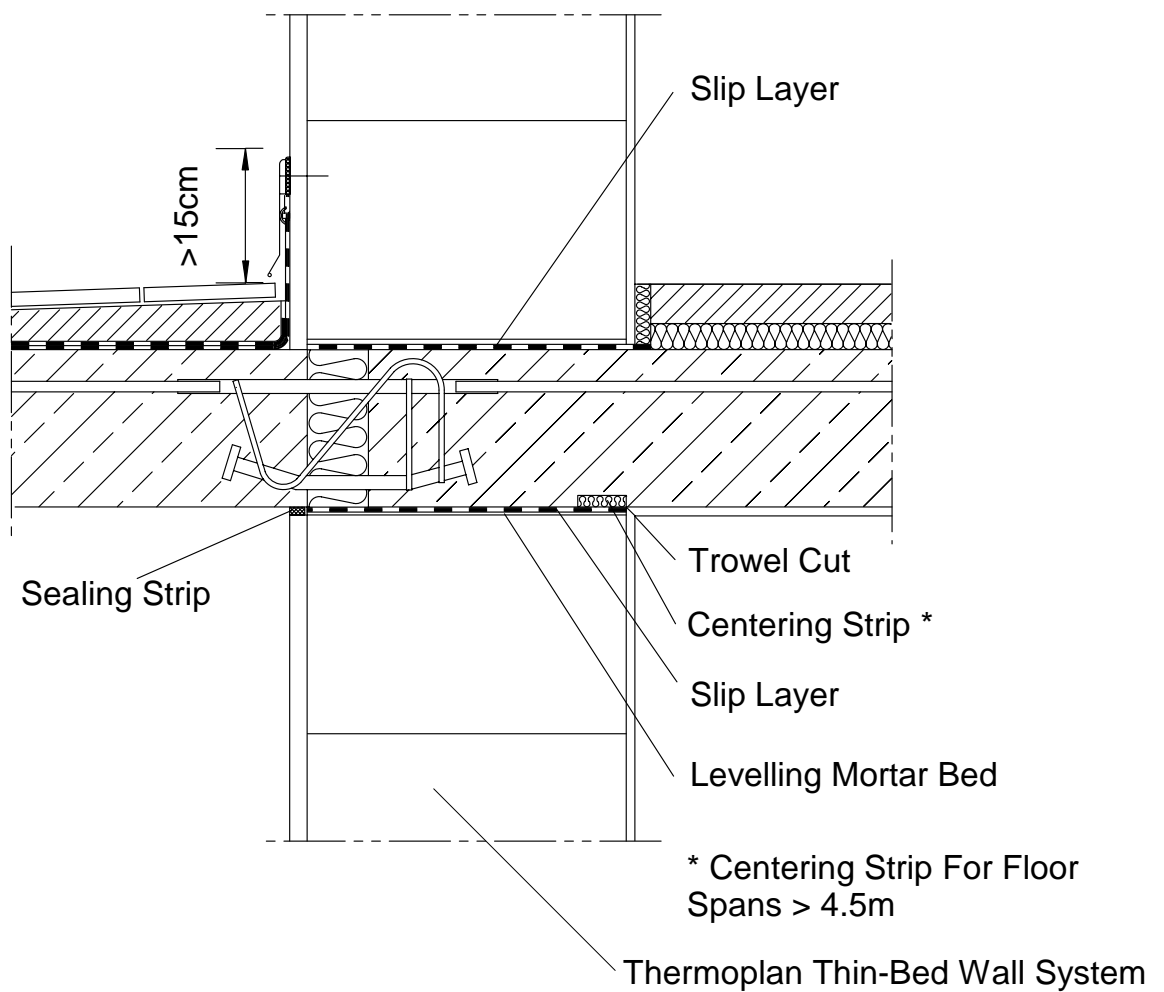
TITLE		
<i>NBT Thermoplan Balcony Detail 4</i>		
PART NUMBER	DRAWN BY	DATE
<i>PZBD4</i>	<i>R Cook</i>	<i>12/06/2006</i>
CAD FILE NAME		
<i>PZBD4</i>		



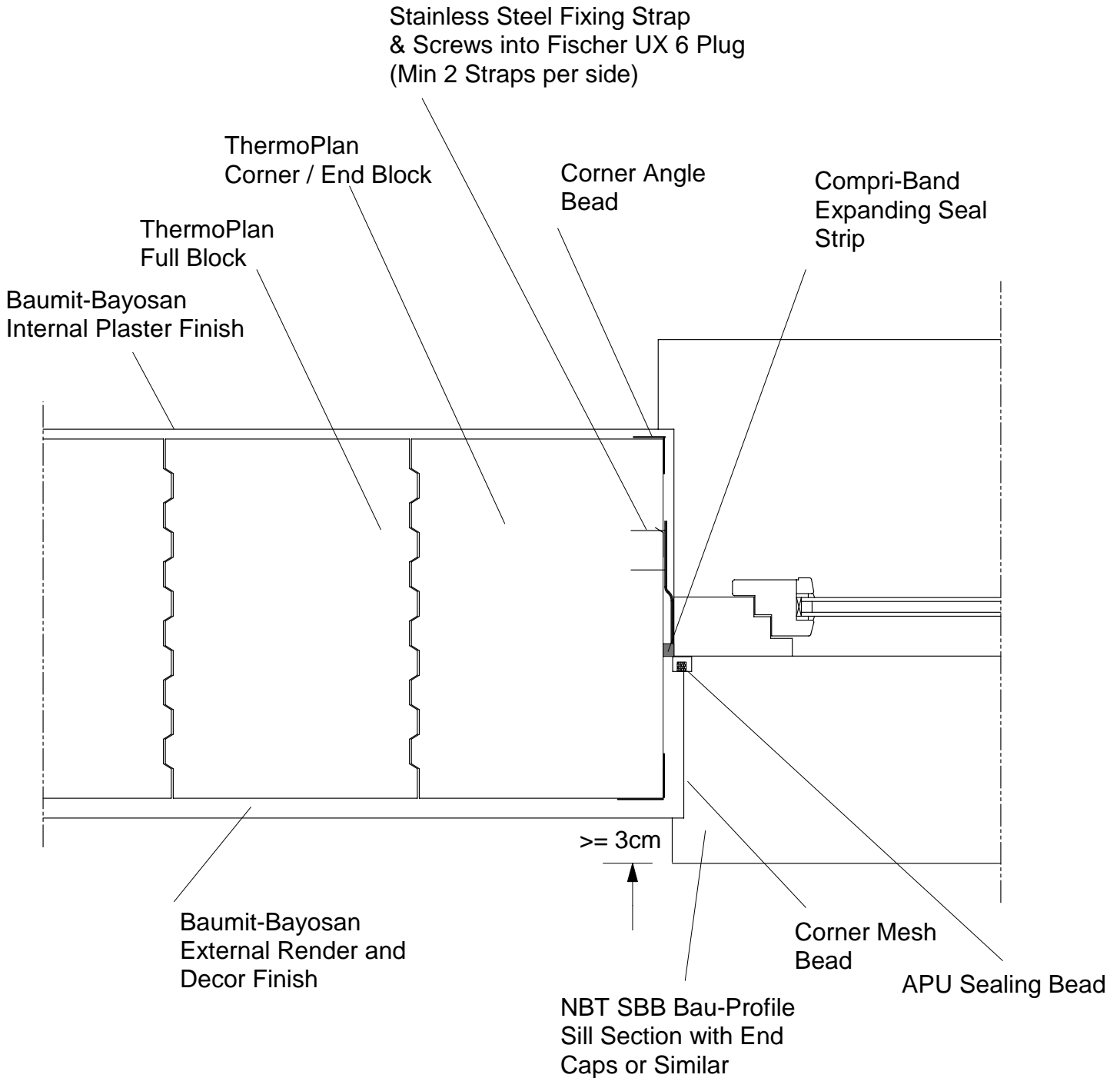
TITLE		
<i>NBT Thermoplan Balcony Detail 3</i>		
PART NUMBER	DRAWN BY	DATE
<i>PZBD3</i>	<i>R Cook</i>	<i>12/09/2006</i>
CAD FILE NAME		
<i>PZBD3</i>		



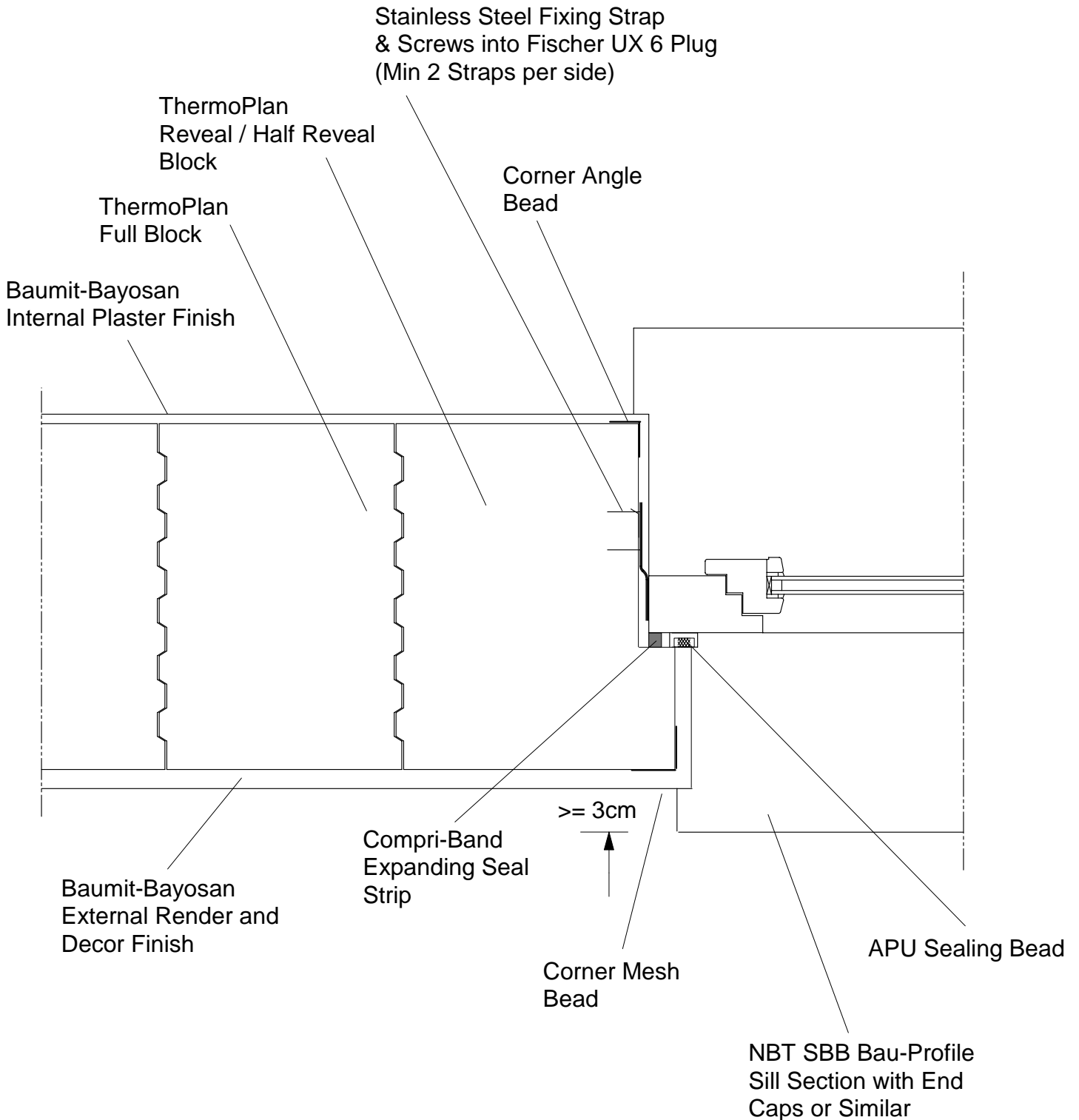
TITLE		
<i>NBT Thermoplan Balcony Detail 2</i>		
PART NUMBER	DRAWN BY	DATE
<i>PZBD2</i>	<i>R Cook</i>	<i>12/09/2006</i>
CAD FILE NAME		
<i>PZBD2</i>		



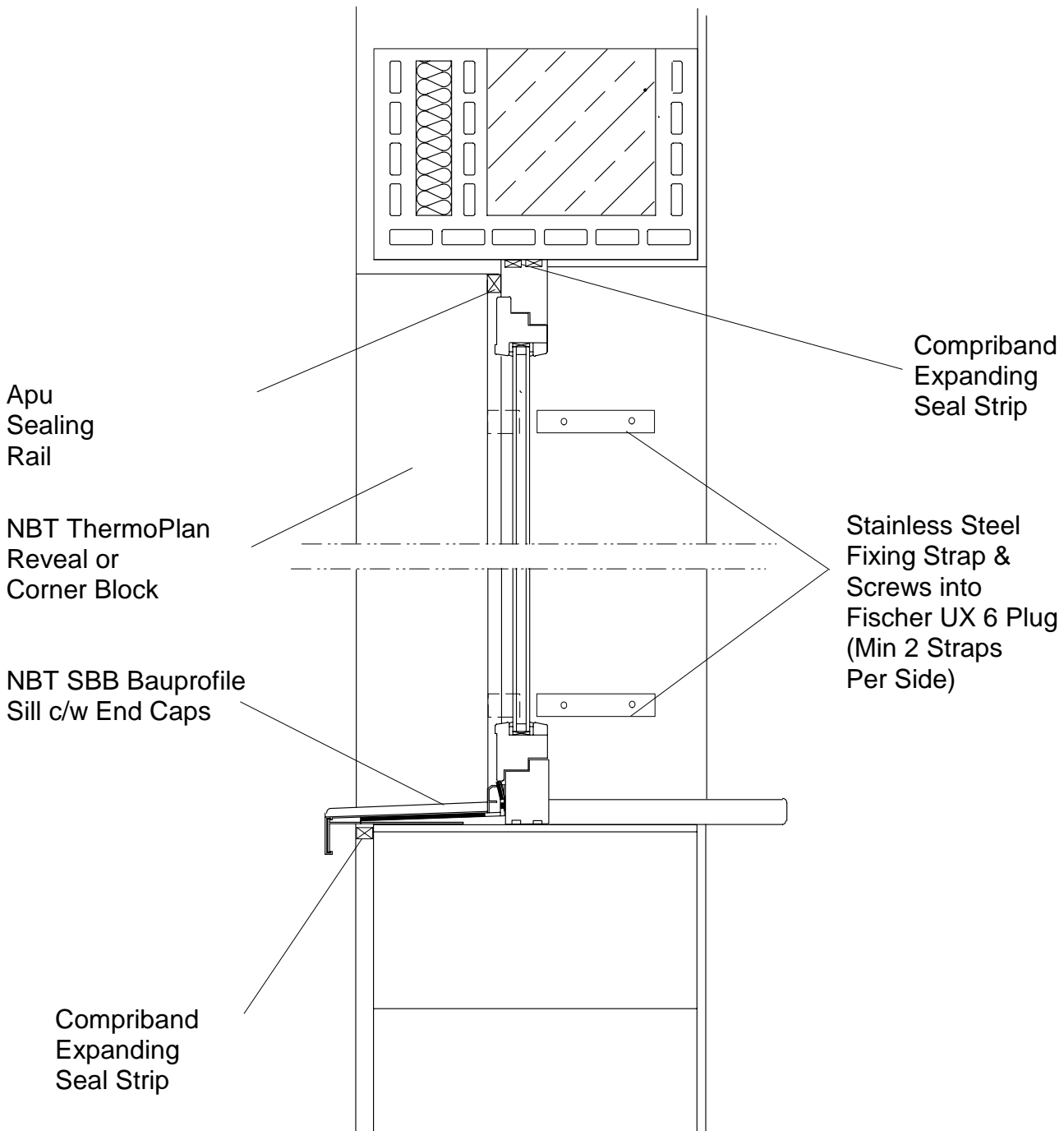
TITLE		
<i>NBT Thermoplan Balcony Detail 1</i>		
PART NUMBER	DRAWN BY	DATE
<i>PZBD1</i>	<i>R Cook</i>	<i>12/09/2006</i>
CAD FILE NAME		
<i>PZBD1</i>		



TITLE <i>NBT ThermoPlan Window Detail 1</i>		
PART NUMBER <i>PZWD1</i>	DRAWN BY <i>R Cook</i>	DATE <i>26/09/2006</i>
CAD FILE NAME <i>PZWD1</i>		



TITLE <i>NBT ThermoPlan Window Detail 2</i>		
PART NUMBER <i>PZWD2</i>	DRAWN BY <i>R Cook</i>	DATE <i>26/09/2006</i>
CAD FILE NAME <i>PZWD2</i>		



TITLE		
<i>NBT ThermoPlan Window Detail 3</i>		
PART NUMBER	DRAWN BY	DATE
<i>PZWD3</i>	<i>R Cook</i>	<i>26/09/2006</i>
CAD FILE NAME		
<i>PZWD3</i>		